

DigiSender Long Range

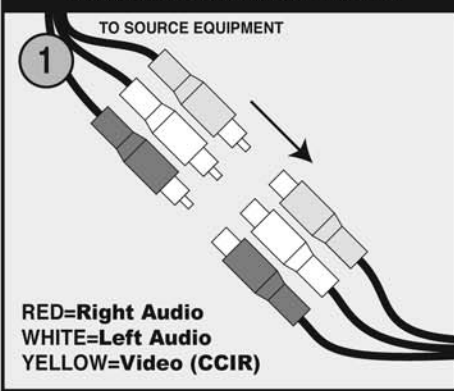


QUICK START CONNECTION GUIDE

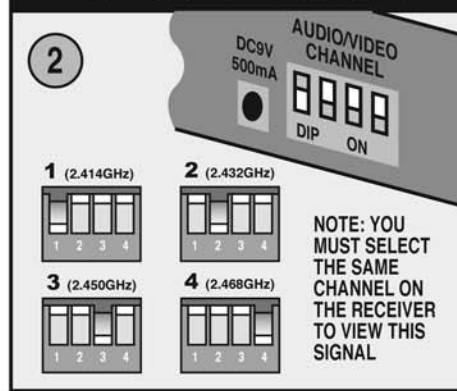
This document is intended to guide you through the basic steps involved in setting up your AEI DigiSender™ long range a/v sender system.

PART 1: SETTING UP THE DIGISENDER TRANSMITTER

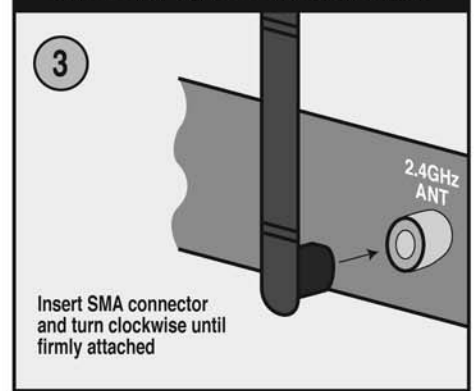
CONNECT SOURCE DEVICE TO THE TRANSMITTER INPUT LEADS



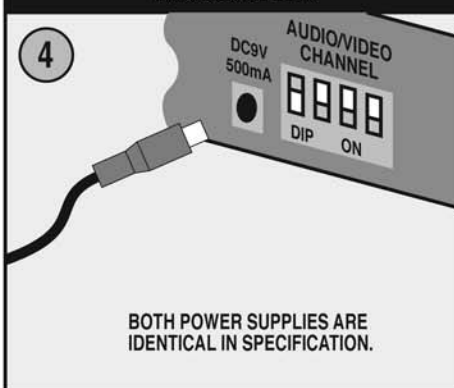
SELECT THE A/V CHANNEL ON THE REAR OF THE TRANSMITTER



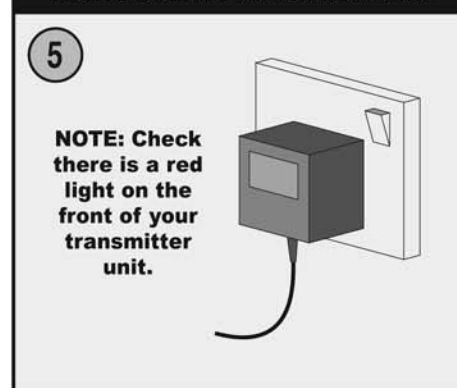
CONNECT THE 100mm DIPOLE ANTENNA TO THE TRANSMITTER



CONNECT THE PSU TO THE TRANSMITTER



PLUG THE PSU INTO AN AVAILABLE MAINS SOCKET AND SWITCH ON!



PLEASE PROCEED OVERLEAF FOR RECEIVER CONNECTION DETAILS

AEI SECURITY & COMMUNICATIONS LTD
Weslake Industrial Park, Rye, East Sussex TN31 7TE

Technical Support:
web: www.aei.info
email: support@aei.info
tel: 0870 166790

PART 2: SETTING UP THE RECEIVING THE ANTENNA
(DG300YG2425CB12 and DG300YG2414CB12 packs only)

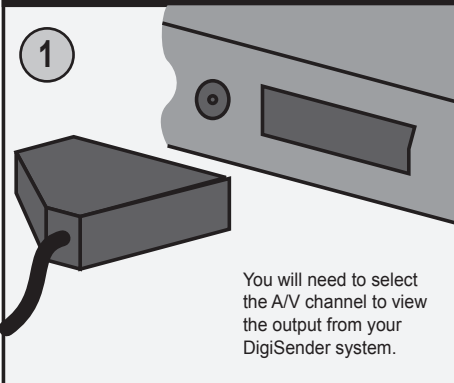
**PLEASE REFER TO SEPERATE
ANTENNA CONSTRUCTION
INFORMATION LEAFLET**

- 1) Construct and mount the receiving antenna on a suitable mast.
- 2) **IMPORTANT** - Align the receiving antenna or parabolic dish so it points in the direction of the transmitter, even when direct line of sight is not possible.
- 3) Connect the large N-Type connector, on the supplied cable to the receiving antenna.

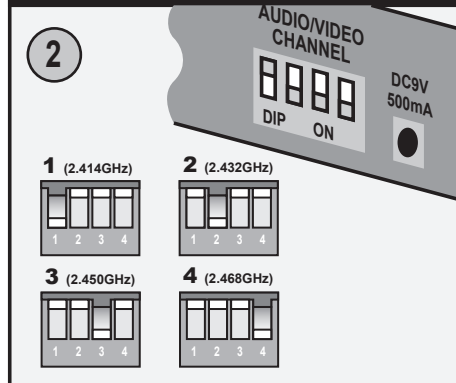
INSTALLATION SHOULD ONLY BE COMPLETED BY QUALIFIED PERSONS

PART 3: SETTING UP THE DIGISENDER RECEIVER

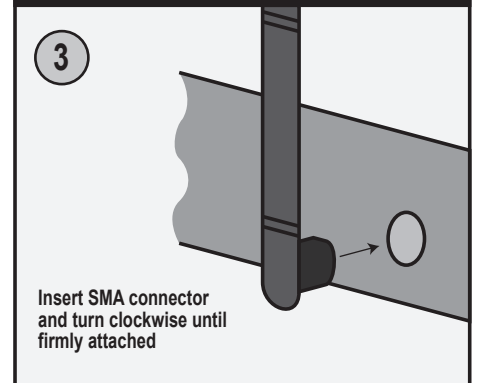
**CONNECT PRE-WIRED SCART TO
TELEVISION/MONITOR/VCR**



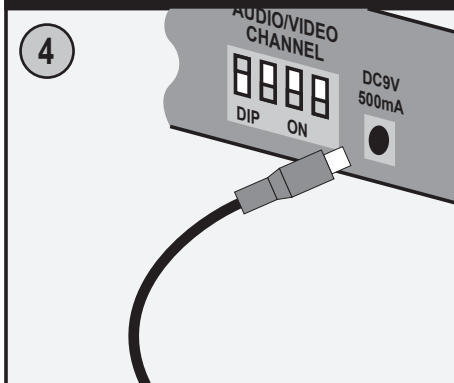
SELECT CHANNEL



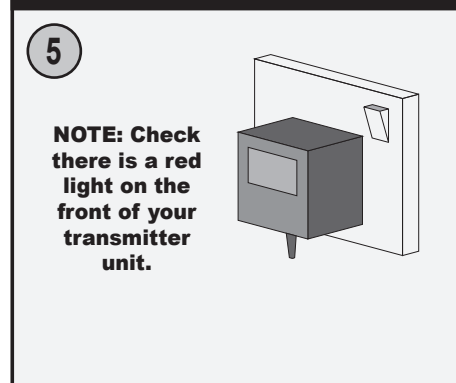
**CONNECT ANTENNA OR
ANTENNA CABLE**



**CONNECT THE PSU TO THE
RECEIVER**



**PLUG THE PSU INTO AN AVAILABLE
MAINS SOCKET AND SWITCH ON!**



**PLEASE SEE THE ATTACHED SHEET FOR
DETAILS ON OPERATING THE REMOTE CONTROL**

DigiSender™ RX Remote Control

Introduction

The DigiSender™ remote control releases many new features of your DigiSender™ system allowing you to select different AV equipment which you can connect to separate transmitters.

For CCTV applications the DigiSender™ remote control allows you to setup dwell times and auto scan functions. The remote control will also allow you to flick between wireless DigiSender™ cameras that you have setup around your home and for example your Satellite TV system.



1. Manually Selecting Channels

You can change the DigiSender™ channel manually by pressing one of the following keys:



2. Scan Mode

When used with multiple transmitter systems the remote control can be used to setup the dwell time i.e. the delay between the receiver switching between channels when scanning.

i) On the receiver, set the relevant DIP switches to the down position for each transmitter channel in use.

The receiver will now begin to scan automatically between the channels selected.

ii) To change the dwell time use the following commands:

For a 1 second delay

*Press button **1**, 3 times until the receiver displays 8.*

For a 3 second delay

*Press button **2**, 3 times until the receiver displays 8.*

For a 5 second delay

*Press button **3**, 3 times until the receiver displays 8.*

For a 7 second delay

*Press button **4**, 3 times until the receiver displays 8.*